



NUA-BK30

IP Converter Bracket

The NUA-BK30, IP Converter Bracket is a monitor bracket. Using this bracket, the NU-IP3R, IP converter (receiver) can be mounted on Sony's monitor*. Since the AC-82MD, AC adaptor is also mounted on the back of the monitor, cable management is simple and all cables are housed in the lower case so that they can not be seen from the outside.

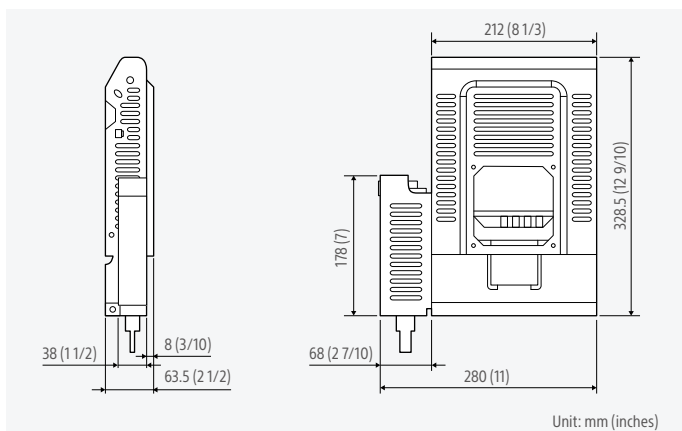
* LMD-X310 series as of August, 2019

Specifications

General	
Mounting	100 mm x 100 mm VESA
Parts combined (Finished style)	
Mass	Approx. 1.8 kg (3 lb 18.8 oz) (without AC adaptor bracket cover) Approx. 1.86 kg (4 lb 2 oz) (with AC adaptor bracket cover)
Dimensions (W x H x D)	212 x 328.5 x 63.5 mm (8 1/3 x 12 9/10 x 2 1/2 inches) (without AC adaptor bracket cover) 280 x 328.5 x 63.5 mm (11 x 12 9/10 x 2 1/2 inches) (with AC adaptor bracket cover)
AC adaptor bracket cover	
Mass	Approx. 0.06 kg (2.4 oz)
Dimensions (W x H x D)	68 x 178 x 38 mm (2 7/10 x 7 x 1 1/2 inches)

Note: The medical device registration may vary depending on the country. For more details, please contact your nearest Sony dealer.

Dimensions



Related Products



IP Converter (Receiver)
NU-IP3R



AC Adaptor
AC-82MD

SONY

Distributed by

MK20359V10HB19AUG

©2019 Sony Corporation. All rights reserved.
Reproduction in whole or in part without written permission is prohibited.
Features and specifications are subject to change without notice.
The values for mass and dimension are approximate.
Sony is a registered trademark of Sony Corporation. NUCLeUS is a trademark of Sony Corporation.
All other trademarks are the property of their respective owners.
Please visit Sony's professional website or contact your Sony representative for specific models available in your region.