



HDMI 2.0 One(1) fiber optical extender with Copper Extension HDFX-700-TR

Description

HDMI 2.0 one(1) fiber optical detachable extender with copper extension, HDFX-700-TR, extends HDMI 2.0 signal up to 200m (656feet) and transmits 4K UHD (4096x2160) at 60Hz over one(1) LC multi-mode fiber(OM3). Cutting-edge technology of Opticis reduces limits in installation by providing an option for longer copper extension.

HDFX-700-TR transmit uncompressed and transparent data signal even when used with up to 2 m copper cable as an intermediary. This enables installation of the product in the limited spaced area in such our small module type extender cannot be used. 2m copper cable for both sides are provided in the shipping group.

Furthermore, HDFX-700-TR offers two extra options to enhance its quality. By selecting the type of firmware, it can fully support ARC up to 200m, or it can fully interoperate with direct connection type module, HDFX-500 as a pair.

HDFX-700-TR gives slim, light, and easy installation with perfect electrical isolation, but without electrical hazard and interference. It is operated external DC power adapter which is supplied in the shipping group.

Specification

- Supports **HDMI 2.0** standards
- Extends up to **4K (4096x2160) at 60Hz**, (RGB & YCbCr : 4:4:4)
- Transmits data up to **200m (656feet) over one (1) LC multi-mode fiber (OM3)**
- **Extra copper extension** available up to **2m** on each side (TX/RX)
- **Two selectable options** for convenience:
 - **ARC** supported up to 200m
 - **Fully compatible** with using HDFX-500
- Offers total data rate **18 Gbps**
- **Power Rack (BR-400)** available for mounting up to 8 units
- Supports **HDR at 10bit or 12bit speed** respectively within 18 Gbps
- **Firmware upgradable** via micro USB port
- Complies with CEC, EDID, and HDCP 2.2/1.4
- Plug & Play
- Data security with negligible EMI emission
- Operated by DC power supplier 5V/1A
- Label color distinction: TX (silver) & RX (black)
- Certifies FCC and CE standards for EMI/RFI emission

Applications

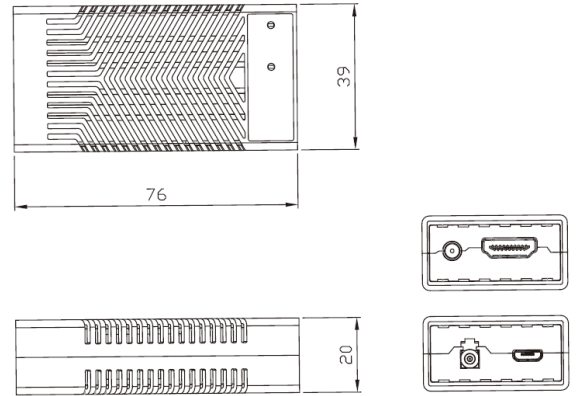
- Medical imaging
- Military
- Digital Signage
- Control room
- Simulator
- Rental staging

HDMI 2.0 One(1) fiber optical extender with Copper Extension HDFX-700-TR

Technical Features

Resolution	Up to 4K(4096x2160) at 60Hz,
Bit rate	Up to 6.0 Gbps/ch
Maximum distance	Up to 200m (656feet)
Fiber	1 LC multi-mode fiber (OM3)
Selectable option	Full ARC
Power supplying	External DC power 5V/1A
LED Indicators	TX: power, signal transmission RX: power, signal detection
Power consumption	< 2.5W
Operating temperature	0°C to 50°C
Operating humidity	10~85% RH, non-condensing
Size (LWH)	39 x 76 x 20 mm

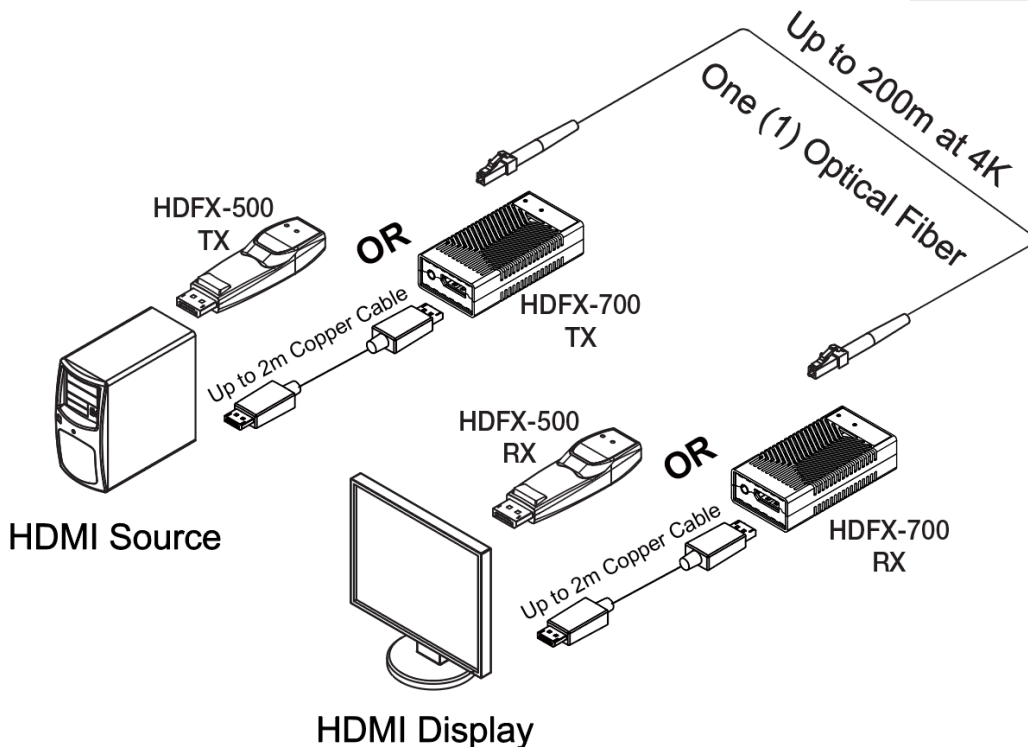
Dimension [mm]



Size (LWH): 39 x 76 x 20mm

Connection Diagram

4K UHD(4096x2160) @60Hz up to 200m (656ft)



Opticis Co., Ltd.
3F, 305, Sanseong-daero, Sujeong-gu
Sungnam-si, Gyeonggi-do, 13354 South Korea
Tel: +82 (31) 719-8033
Fax: +82 (31) 719-8032

tosales@opticis.com



All contents are subject to be changed without prior notice.